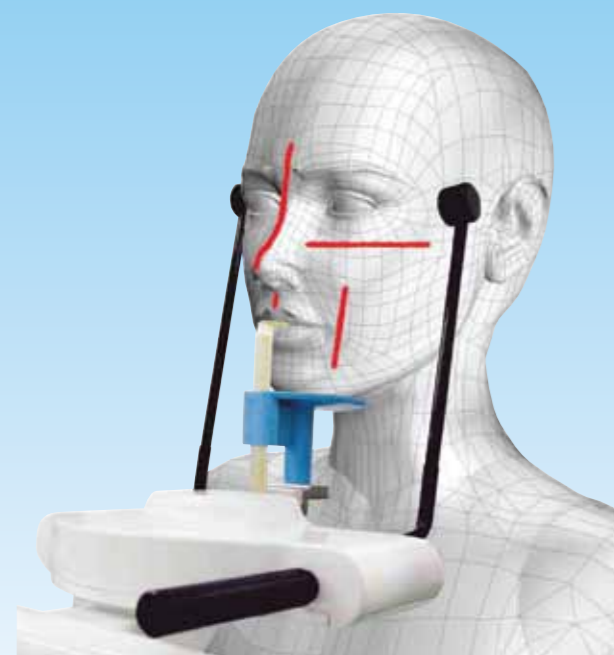


# Simple Operation Outstanding Image Quality



- **Simple accurate positioning**  
Three bright red laser positioning beams allow you to accurately line up the patient.



- **Simple positioning with motorized focus laser beams and one touch glide overhead.**



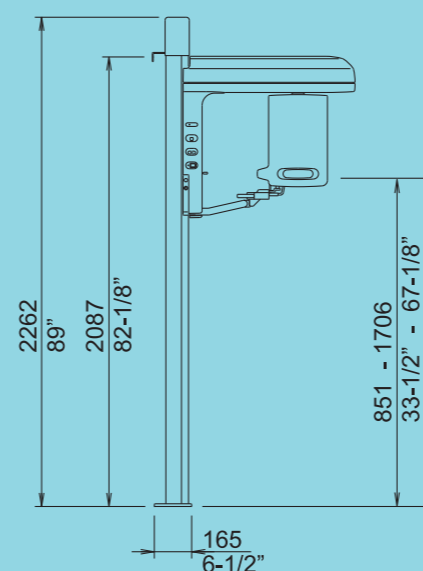
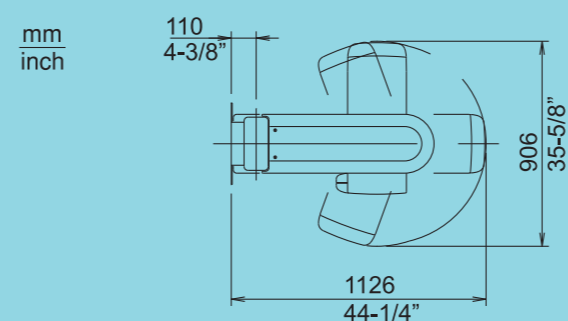
- **Intuitive interactive user interface.**  
Auto selects exposure settings with just a mouse click.

## SPECIFICATIONS

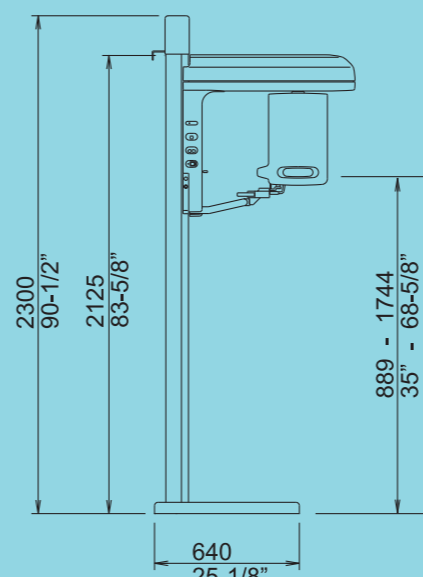
Model	Bel-Cypher
Power Voltage	120 Vac 60Hz
Power Capacity	1.5kW
H.T. Generator	High frequency Inverter (100kHz)
X-ray Tube Voltage	60kV - 80kV (1kV step)
X-ray Tube Current	2 to 8mA (1mA step)
X-ray Tube	D-052SB (Toshiba)
X-ray Tube Focus	0.5 X 0.5mm
Total Filtration	2.5mmAl (minimum)
CCD Specifications	Color depth: 12bit Static resolutions: 6 line pairs per mm Signal to noise ration: 200:1
Exposure Mode	Panoramic (Adult and Child) Panoramic Bitewing (Adult and Child) TMJ Lateral 4 sections
Exposure time	Panoramic: 10 sec Panoramic Bitewing: 4.6sec (both sides) TMJ 4 sections: 2.5 sec (X4)
Magnification	Panoramic: 1.2 to 1.3 Panoramic Bitewing: 1.2 to 1.3 TMJ lateral 4 sections: 1.2
Patient Positioning Beam	3 Laser beams (Focus, Median, Frankfort)
Positioning tools	Panoramic: Bite Piece and Head Holding Rod TMJ: Ear Rod
Weight	364lb (165kg) w/o optional free standing base

TWAIN compatible  
Interface : Ethernet 10/100 Base-T  
Optional free standing base  
\* Requires PC for operation

## DIMENSIONS



Add 1/2" to height, if you use a flat plate style free standing base.



with free standing base



BELMONT EQUIPMENT, Division of Takara Belmont, USA, Inc.  
101 Belmont Drive Somerset, New Jersey 08873 U.S.A.  
Phone : (800)223-1192 Fax : (732)356-1035  
www.belmontequip.com

TAKARA CO., CANADA LTD.  
2076 S. Sheridan Way, Mississauga, Ont., L5J2M4, Can.  
Phone : (905)822-2755 / (800)268-5351 Fax : (905)822-6203  
dental.takarabelmont.ca

Printed in USA 040110 BRH00038



Simply  
Outstanding

Digital Panoramic X-ray unit

# Bel-Cypher



# Bel-Cypher

**Panoramic image (adult)**



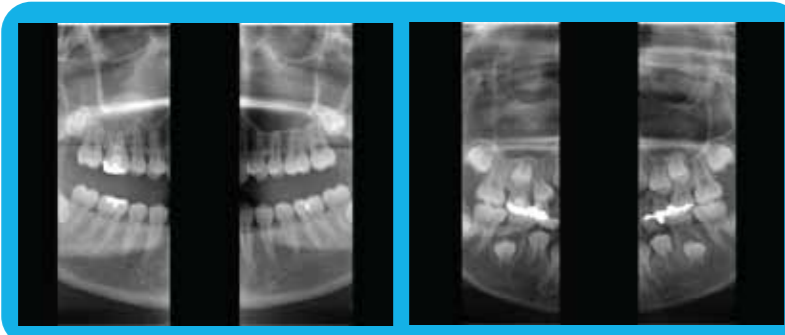
Images typical of what you will produce in your practice.

**Panoramic image (child)**



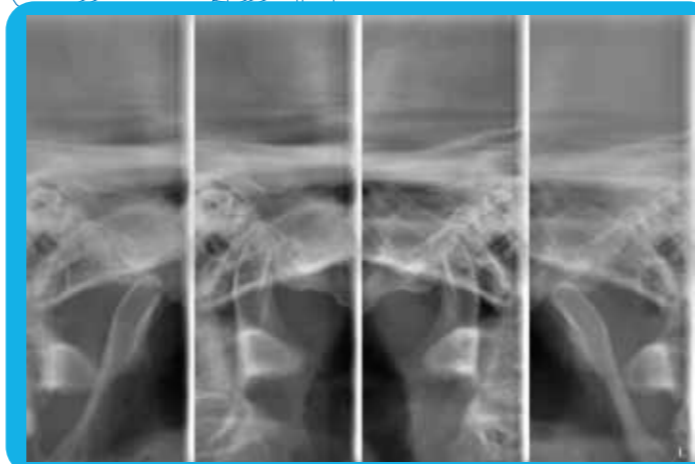
Bel-Cypher images do not need to be digitally enhanced to get a sharp image.

**Panoramic Bitewing (adult) (child)**



The special "Panoramic Bitewing" view allows for interproximal caries detection not normally available from a typical pan view. Especially useful for difficult patients.

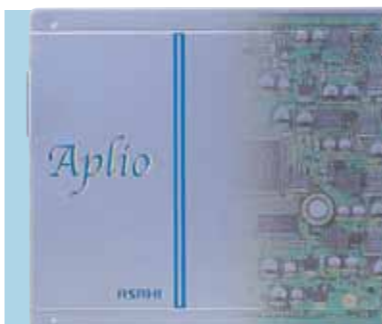
**TMJ 4section (side view)**



**So Simple,** Bel-Cypher's high resolution sensor and software produces crisp clear sharp image even with less than ideal patient positioning.



**High resolution.** The secret to the Bel-Cypher's easily attainable yet excellent images lies in the exclusive high resolution sensor package and TWAIN driver software.



**state of the art CCD sensor unit.**

Color depth ; 12 bit  
Static resolution ; 6 line pairs per mm  
Signal to noise ratio ; 200:1  
Interface ; Ethernet 10/100 Base-T

Make your life simple with Bel-Cypher

## Bel-Cypher



EXPOSURE MODE	
Panoramic	Adult
	Child
Panoramic Bitewing	Adult
	Child
TMJ	Lateral 4 Sections

EXPOSURE TIME	
Panoramic	10.0sec
Panoramic Bitewing	4.6sec (both sides)
TMJ	2.5sec(X4)

Shown with optional free standing base

\* Sample images are cropped for use in this document, actual pan images will include the full mandible.