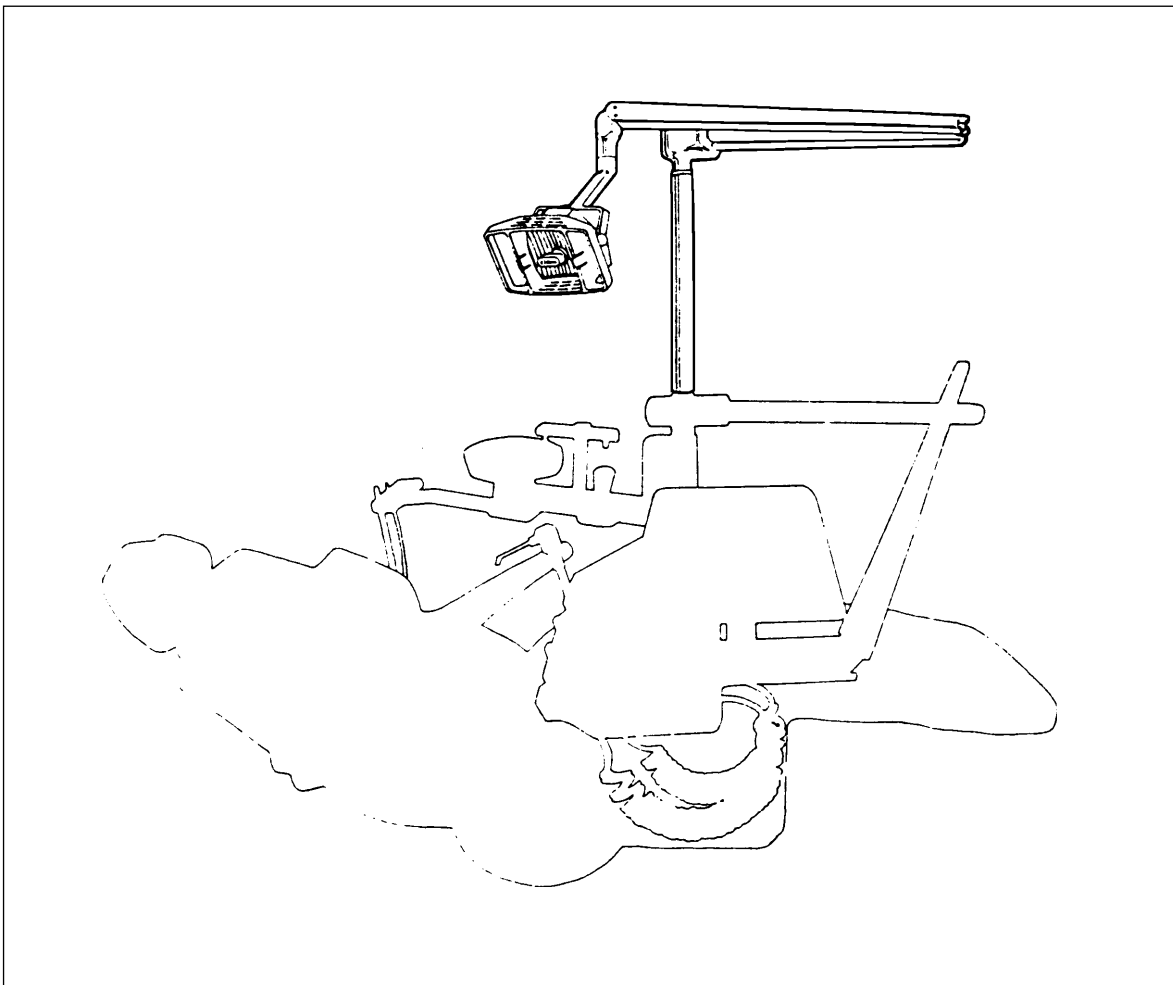


# *X-CALIBUR*

**HLU**

UNIT MOUNTED DENTAL LIGHT



INSTALLATION and OPERATING  
INSTRUCTIONS

**Belmont**

Rev.3

DESCRIPTION: The X-CALIBUR HLU is an arm-mounted, quartz halogen dental light designed for chair, unit or wall mounting. The light is color matched to natural daylight and features a dual intensity on-off control.

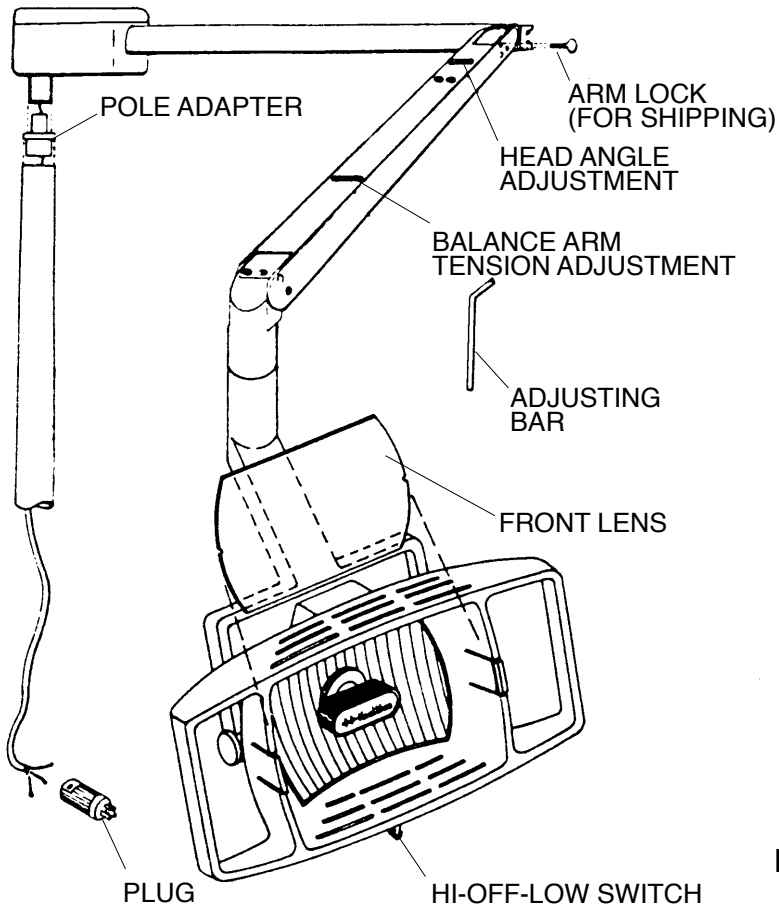


Figure 1

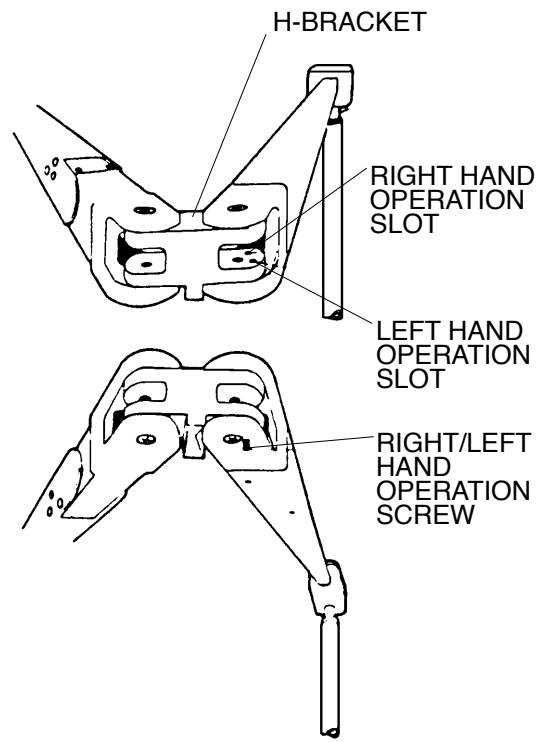


Figure 2

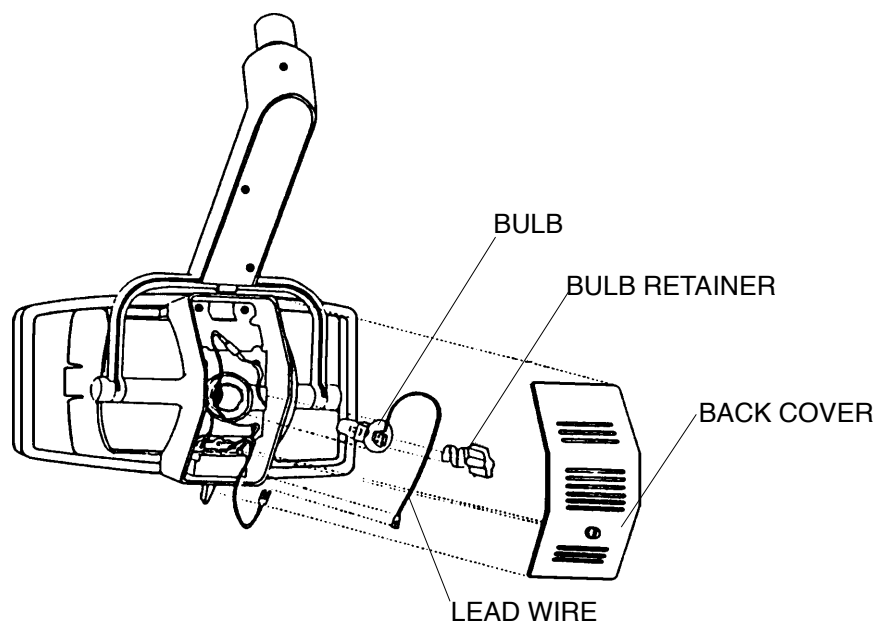


Figure 3

## DENTAL LIGHT INSTALLATION INSTRUCTIONS

### 1) **SET-UP** (See Figure 1.)

- 1.1 Attach pole (if not existing) to chair per manufacture's instructions.
- 1.2 Unpack light and pole adapter.
- 1.3 Slide pole adapter over cord, small end first.
- 1.4 Mount on pole guiding wire through (a pull cord may be helpful for this operation).
- 1.5 Attach a hospital grade plug cap(in Canada, CSA 5-15 Hospital Grade Plug Cap) to wire end. This is to be installed by a licensed electrician only, in accordance with the National Electrical Eode(in the USA) or Canadian Electrical Code(in Canada), and local electrical codes as applicable.
- 1.6 Remove arm locking key (save for possible future shipment).
- 1.7 To convert to left-hand operation (See Figure 2.):
  - 1.7.1 Remove small screw below H-bracket (as shown).
  - 1.7.2 Rotate H-bracket to other position and reinsert screw (loosen large upper & lower screws to help in moving bracket).

### 2) **BULB CHANGING** (See Figure 3)

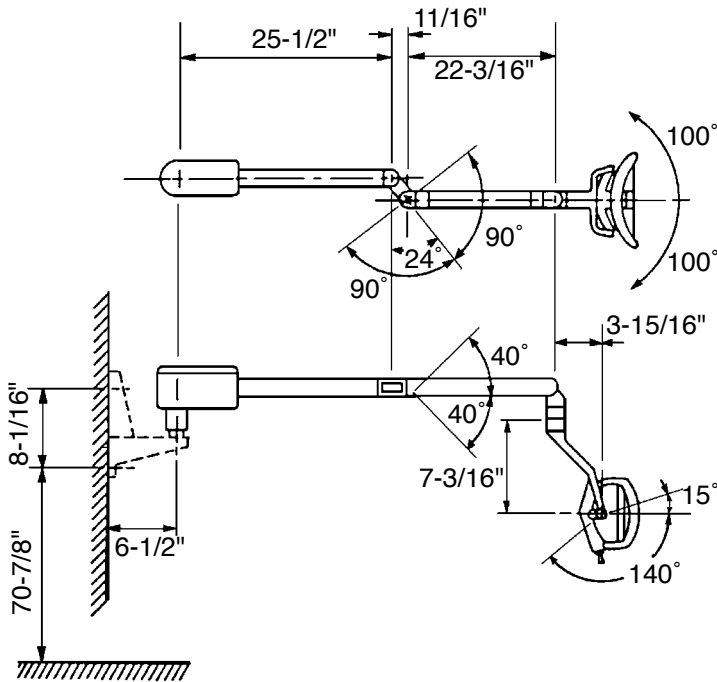
- 2.1 To install replacement bulb (Belmont H-3). turn unit off and remove back cover.
- 2.2 Push in and turn counterclockwise knob of bulb retainer to remove bulb retainer.
- 2.3 Remove bulb by grasping lead wire and pull bulb from housing. Disconnect lead wire when bulb is completely removed.
- 2.4 Clean new replacement bulb surface with alcohol, attach lead wire and insert new bulb into housing.
- 2.5 After new bulb is seated in housing, insert and lock bulv retainer into position.

### 3) **CLEANING**

- 3.1 Clean clear plastic parts with mild detergent and water - front lens can be removed by carefully bowing out middle.
- 3.2 Clean reflector with alcohol on a soft, lintless cloth - only when necessary.
- 3.3 Arms and other parts - clean with mild soap or non-abrasive household cleaner.

- 4) **ADJUSTMENTS** - are normally not necessary. However, spring tension and light head angle can be adjusted with tool supplied used in appropriate slot. (See Figure 1.)  
Move head up or down to expose cross drilled nut in slot opening.

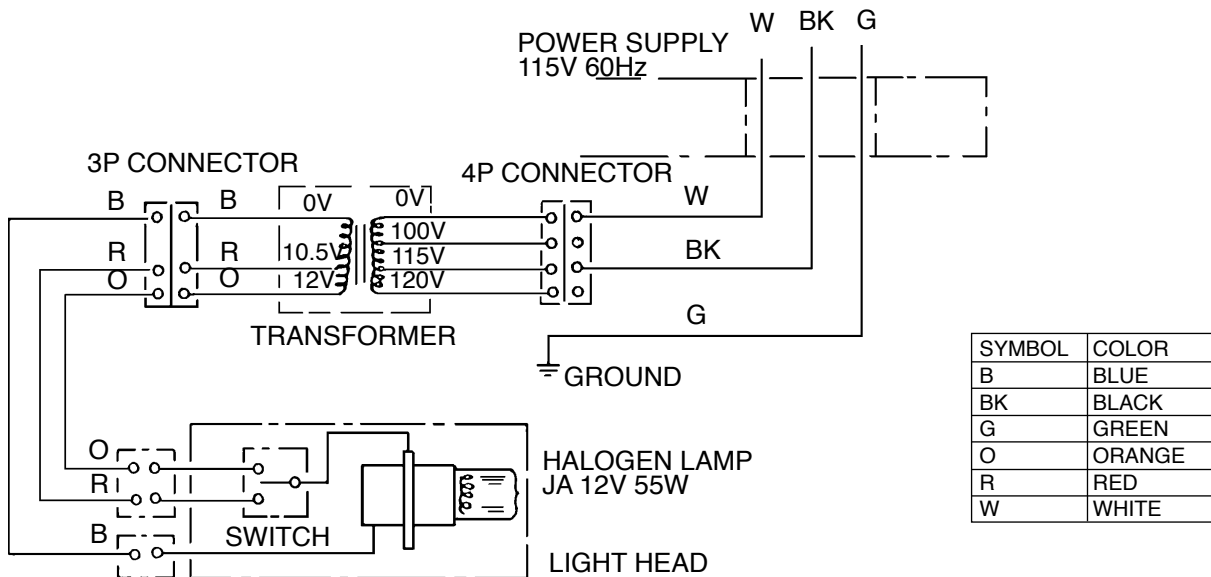
## UNIT & WALL MOUNT TYPE



## SPECIFICATIONS:

Input voltage.....	115V, 60Hz, 0.53A
Output voltage.....	12V high, 10.5V low
Power output.....	55w high, 50w low
Type bulb.....	Tungsten halogen, Type JA 12V-55w
Focal distance.....	28" (725mm)
Light output.....	2600 fc - High, 1400 fc - Low
Color temperature.....	3800° Kelvin
Light Pattern.....	3" x 7" at 28" focal distance (75 x 180 at 725mm)

## WIRING DIAGRAM



# Belmont

BELMONT EQUIPMENT CORPORATION  
 101 Belmont Drive, Somerset, N.J. 08873, U.S.A.  
 (732)469-5000, Toll Free (800) 223-1192  
 2076 S. Sheridan Way, Mississauga, Ont., Canada  
 (905) 822-2755