



**DENTAL AIR SYSTEM**  
with Membrane Dryer



# PRE-INSTALLATION GUIDE

Doctor:	_____
Address:	_____
Phone#:	_____
Dealer:	_____
Dealer Address:	_____

**All installations must conform to local codes!**

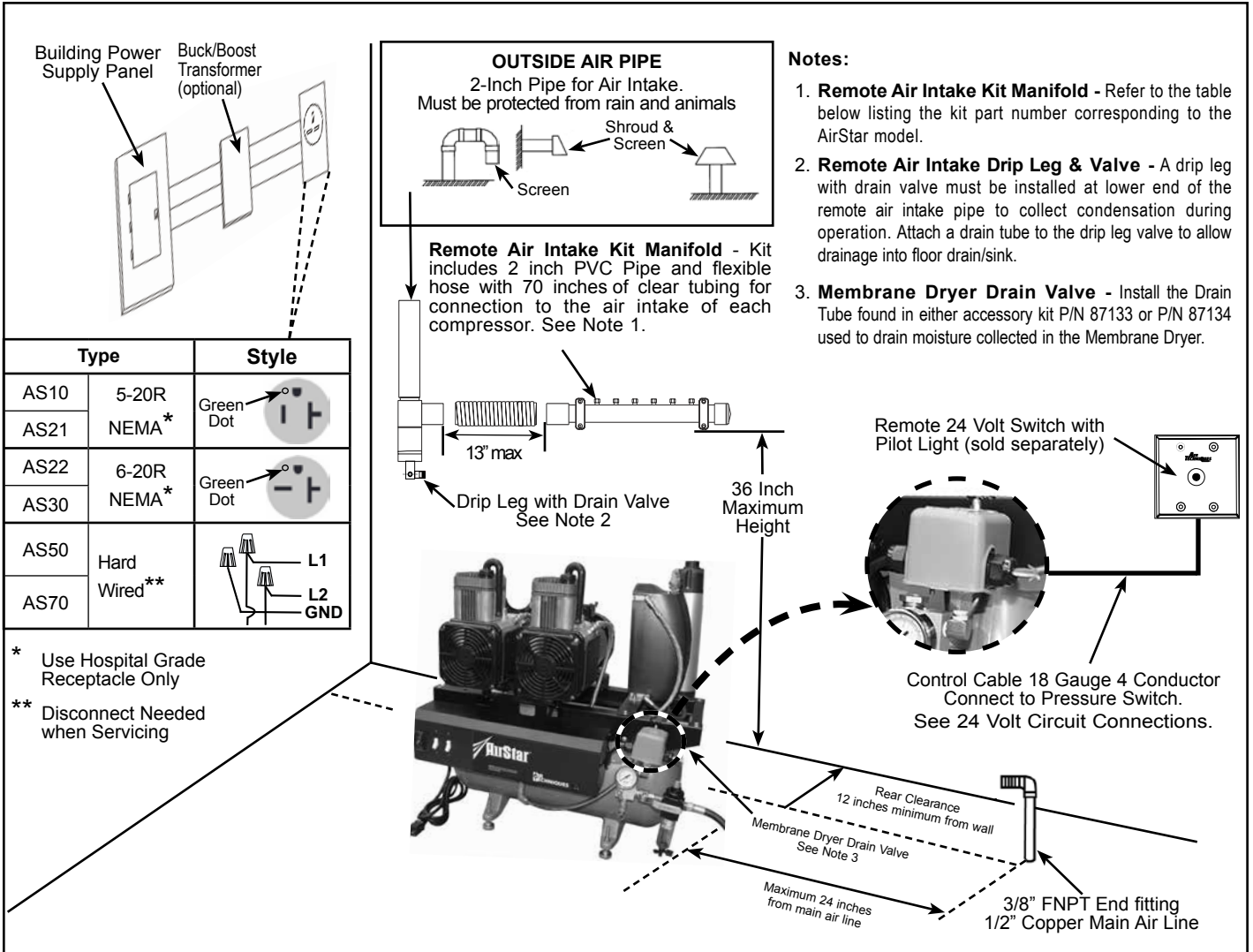
This AirStar Model is being installed:

(AS CHECKED)

- |                               |                               |                               |
|-------------------------------|-------------------------------|-------------------------------|
| <input type="checkbox"/> AS10 | <input type="checkbox"/> AS21 | <input type="checkbox"/> AS22 |
| <input type="checkbox"/> AS30 | <input type="checkbox"/> AS50 | <input type="checkbox"/> AS70 |



# Equipment Room Layout



## Notes:

- Remote Air Intake Kit Manifold** - Refer to the table below listing the kit part number corresponding to the AirStar model.
- Remote Air Intake Drip Leg & Valve** - A drip leg with drain valve must be installed at lower end of the remote air intake pipe to collect condensation during operation. Attach a drain tube to the drip leg valve to allow drainage into floor drain/sink.
- Membrane Dryer Drain Valve** - Install the Drain Tube found in either accessory kit P/N 87133 or P/N 87134 used to drain moisture collected in the Membrane Dryer.

## Remote Air Intake Kits:

Model	AS10	AS21	AS22	AS30	AS50	AS70
Part No.	85491	85492	85492	85492	85493	85494

## Air System Plumbing Connection

- 3/8" FNPT Shut-off valve and a 6 ft. pressure hose (supplied)
- Air distribution piping for all models - 1/2", type "L" or type "K" copper
- If pipe volume is too great, more than 235 in<sup>3</sup> or more than 100 ft. of 1/2" diameter pipe, a pressure regulator should be installed between the main tank and the distribution piping and set to 80 psi.

## Service Clearance

- Allow 12" on all sides for all units

## Ambient Temperature

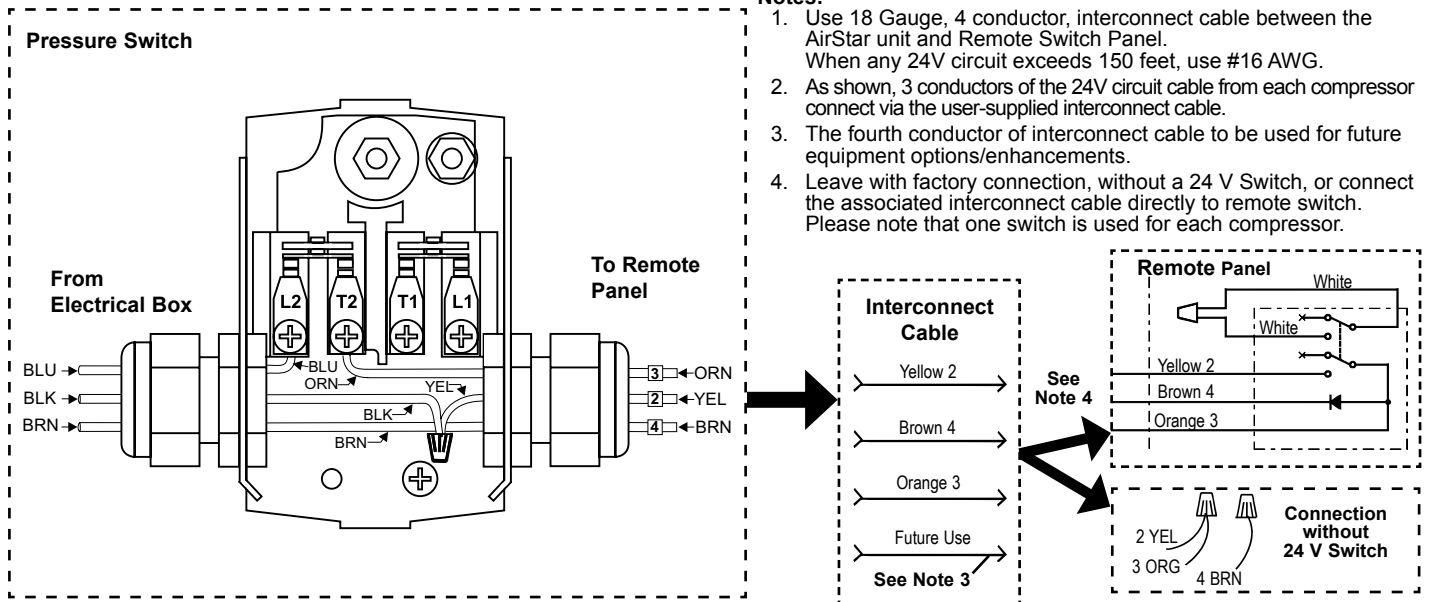
- Must not exceed 105°F
- Must be above 40° F



MEDICAL ELECTRICAL EQUIPMENT

WITH RESPECT TO ELECTRICAL SHOCK, FIRE, MECHANICAL  
AND OTHER SPECIFIED HAZARDS ONLY  
IN ACCORDANCE WITH UL-60601-1, CAN/CSA C22.2 NO.601.1 66CA

# 24 Volt Circuit Connections



## Site Requirements

	AS10	AS21	AS22	AS30	AS50	AS70
Voltage Minimum/Maximum	105/125*	105/125*	200/250*	200/250*	200/250*	200/250*
Full Load Amps in. Circuit	8	15	8	8	16	24
Breaker Rating (Amps)	20	30	20	20	30	40
Minimum Wire Size (AWG)	12	10	12	12	10	8
Watts per Hour	330	640	640	660	1280	1920
BTU per Hour	1,126	2,184	2,184	2,252	4,368	6,552
*If actual facility service is above or below the ratings listed, install a buck/boost transformer with the corresponding part number as shown below.						
Buck/Boost Transformer Part No.	67500 2.0 KVa	67500 2.0 KVa	67002 3.9 KVa	67002 3.9 KVa	67002 3.9 KVa	67002-1 7.8 KVa

All AirStar compressors comply with NFPA 99C level 3 requirements

# Product Specifications - Dimensions

		AirStar 10	AirStar 21	AirStar 22	AirStar 30	AirStar 50	AirStar 70
<b>Horsepower/Kilowatts</b>		0.75/0.56	1.5/1.1	1.5/1.1	1.5/1.1	3.0/2.2	4.0/3.3
<b>Voltage Rating</b>		115	115	208/230	208/230	208/230	208/230
Maximum Number of Simultaneous Air Users		2	3	3	4	7	10
<b>CFM</b> (Cubic Ft./Min) @ 80 psi		2.5	5.0	5.0	5.0	10.0	15.0
<b>Pump-up Time</b> 0-115 PSI		2 minutes, 55 secs	3 minutes, 10 secs	3 minutes, 10 secs	3 minutes, 10 secs	2 minutes, 50 secs	2 minutes, 40 secs
<b>Recovery Time</b> 85-115 PSI		48	47	47	47	42	40
<b>Tank Size</b> (cu. ft.) (US Gal.)		0.8 6	1.6 12	1.6 12	1.6 12	2.7 20	4.0 30
<b>Shipping Weight</b> (Approximate lbs)							
No Sound Cover		170	200	200	240	290	430
With Sound Cover		215	240	240	285	335	N/A
<b>Dimensions (inches)</b>							
No Sound Cover	H	28.50	30.50	30.50	30.50	33.50	35.00
	W	25.00	29.00	29.00	29.00	35.50	47.75
	D	19.75	20.00	20.00	20.00	20.50	21.75
With Sound Cover	H	30.00	32.00	32.00	32.00	33.50	
	W	25.00	31.00	31.00	31.00	36.50	N/A
	D	22.50	22.25	22.25	22.25	22.75	

## Corporate Headquarters

1295 Walt Whitman Road | Melville, New York 11747-3062 | Phone: 800-247-8324 | Fax: 888-247-8481

## Western Facility

291 Bonnie Lane, Suite 101 | Corona, CA 92880 - 2804 | Phone: 800-247-8324 | Fax: 951-898-7646

[www.airtechniques.com](http://www.airtechniques.com)



Airstar is a trademark of Air Techniques, Inc.

© 2009 Air Techniques, Inc. • PN 87104 Rev. G • July 2013